

Small Scale Retort

- * No Steam Supply Required
- * Designed for small batch samples
- * Meaningful and repeatable results
- * Designed for Simple operation with easy to use operator interface
- * Mobile and easy to set up
- * Full process temperature recording
- * Sample temperature probe
- * Automatic F0 calculation
- * Built in chart recorder
- * Temperature to 135 deg C
- * Constant differential pressure
- * Various operating settings

- * Designed for JIS,ASME,& BS
- * Conforms to latest safety standards and carries the CE mark
- * Requires only power, water and air

Power requirements

200/220/380/415v 3 phase

12 or 16 kW

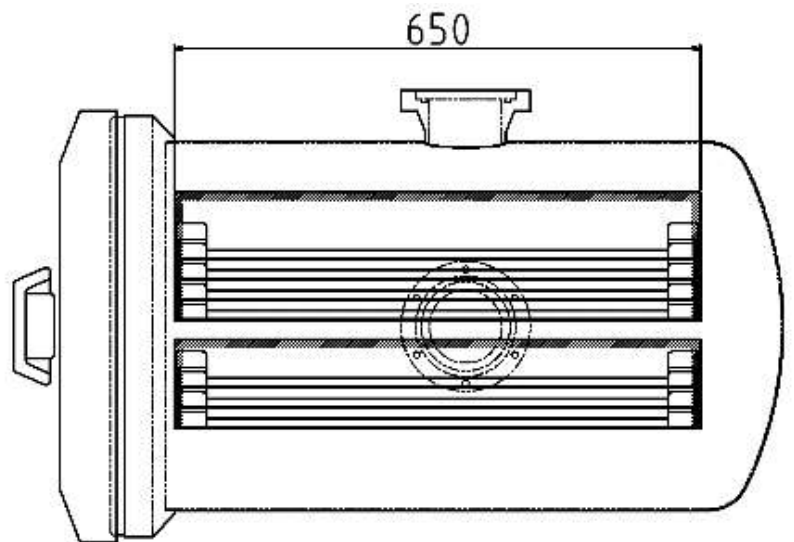
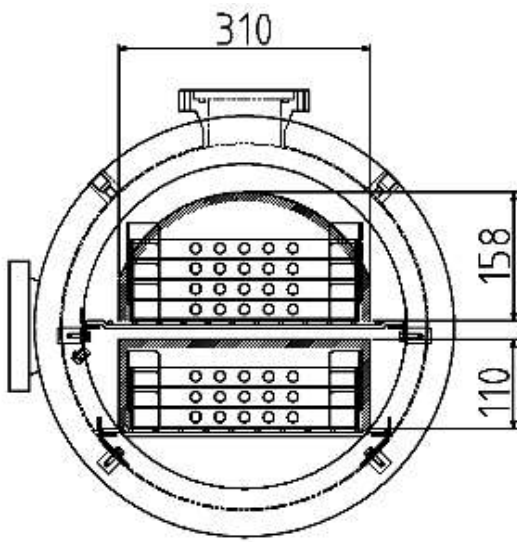
Max operating pressure 0.343 Mpa

Size 180 x 110 x 102 cm (HxWxD)

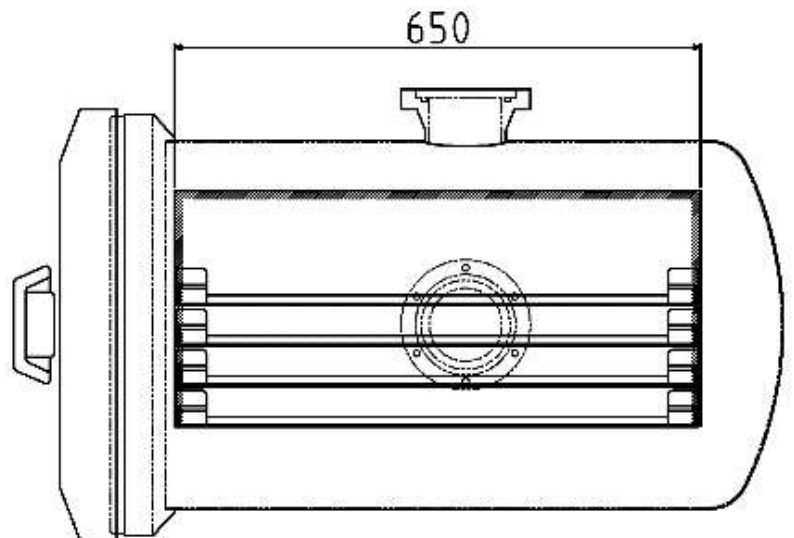
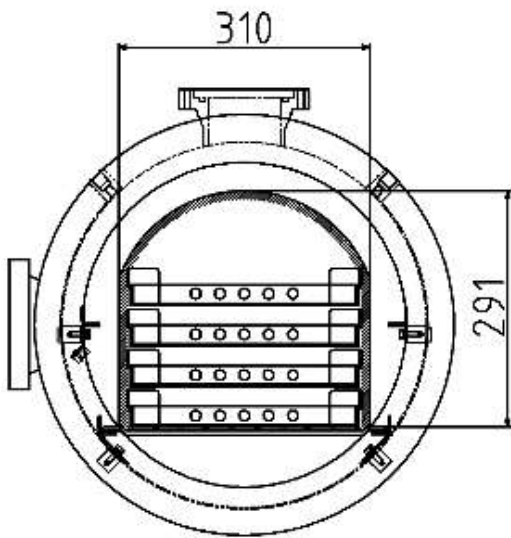
Weight 400 kg

Chamber 45cm Dia x 65 L

Number of trays-6



The image that trays are loaded on higher and lower shelves



The image that trays are loaded on lower shelf with some space

Viewing window

Viewing windows which made by high heat/ pressure resistance glass are equipped on side and top of vessel. And window for lighting is equipped on top of vessel and to set lighting equipment

Validation socket

Validation socket (JIS10K-25A 1pc) is equipped on side of vessel

* Powerpoint International Ltd reserve the right to change the information given without prior notice.



Powerpoint International Ltd
2-5-10 Hikawacho, Toda Shi
Saitama Ken, 335-0027, Japan

Tel +81 (0) 48 229 7830 Fax +81 (0) 48 229 7831 E-mail sales@pp2k.net
<http://www.pp2k.net>